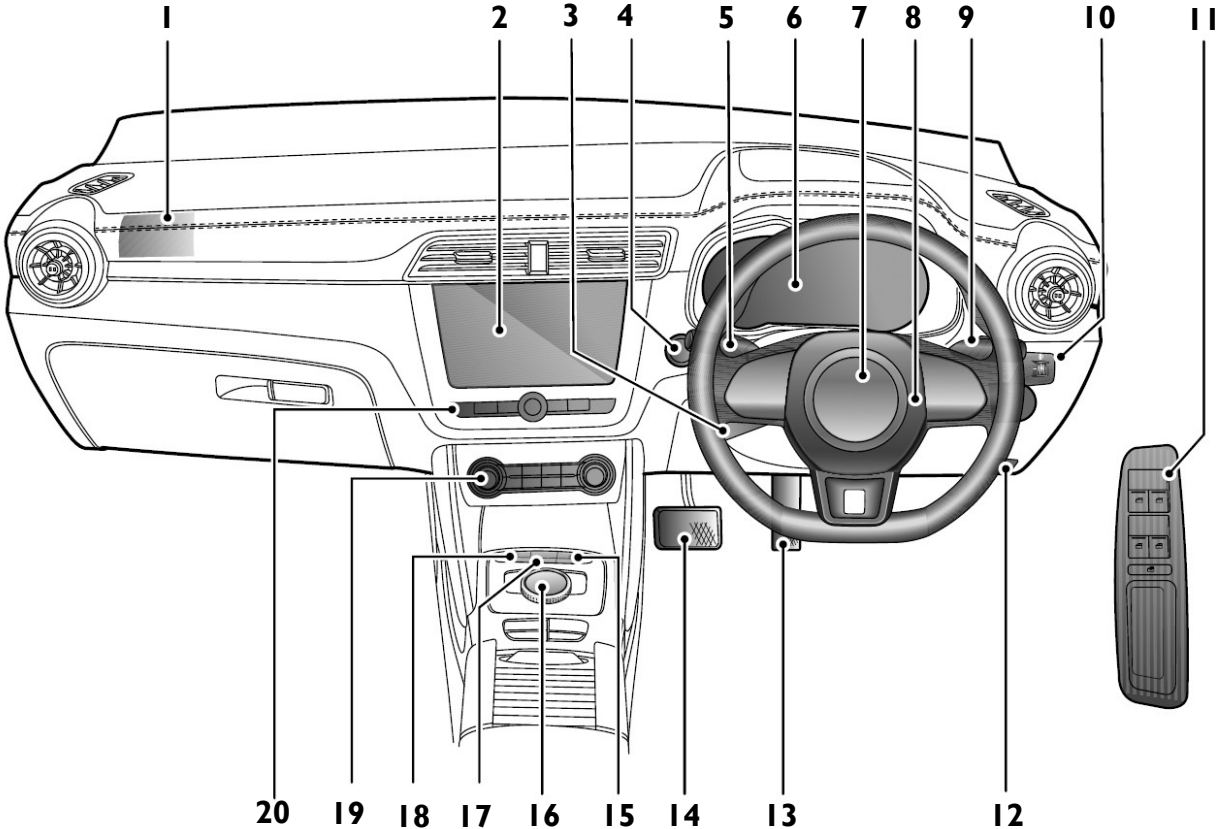


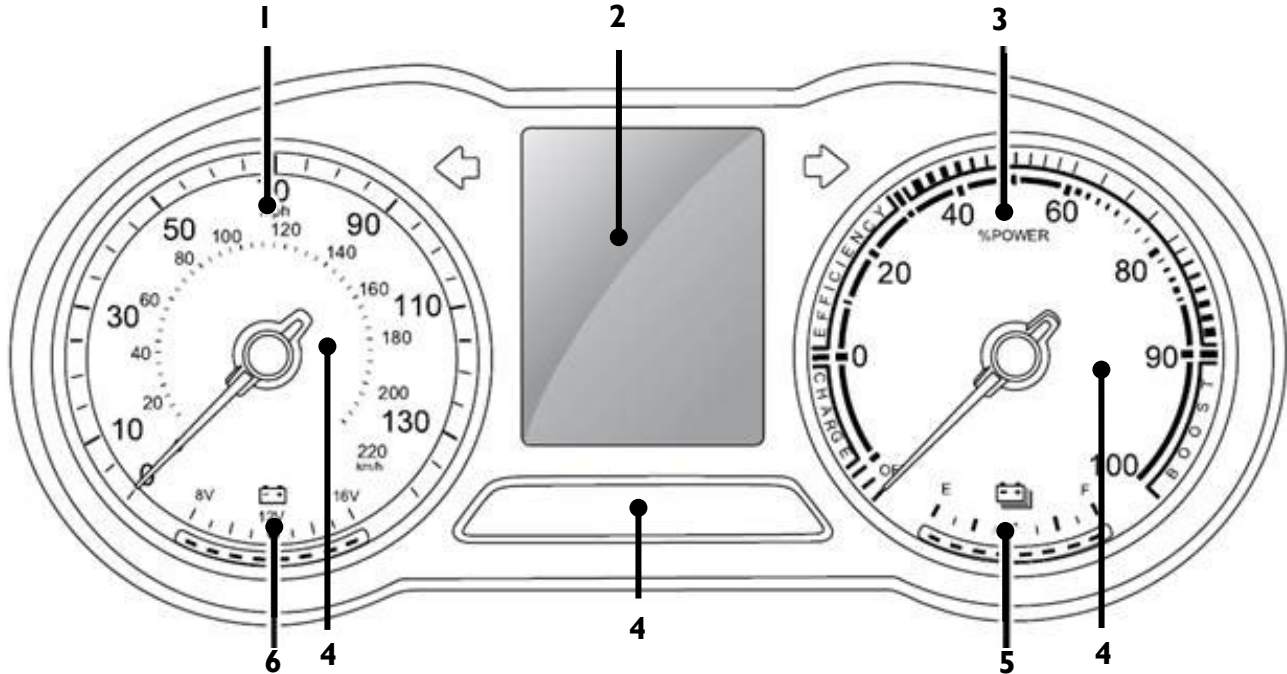
Interior Layout



Interior Layout

1. Passenger Airbag
2. Infotainment System
3. Cruise Control Stalk Switch
4. Start/Stop Switch
5. Indicator/Main Beam Stalk Switch
6. Instrument Pack
7. Driver Airbag
8. Horn
9. Wiper Stalk Switch
10. Headlamp Levelling & Mirror Adjustment Switch
11. Power Window Switch
12. Bonnet Release
13. Accelerator Pedal
14. Brake Pedal
15. Battery Power Display Switch
16. Shift Control Knob
17. Energy Regeneration Mode Selection Switch
18. Driving Mode Selection Switch
19. Air Conditioning Control Switches
20. Infotainment Controls

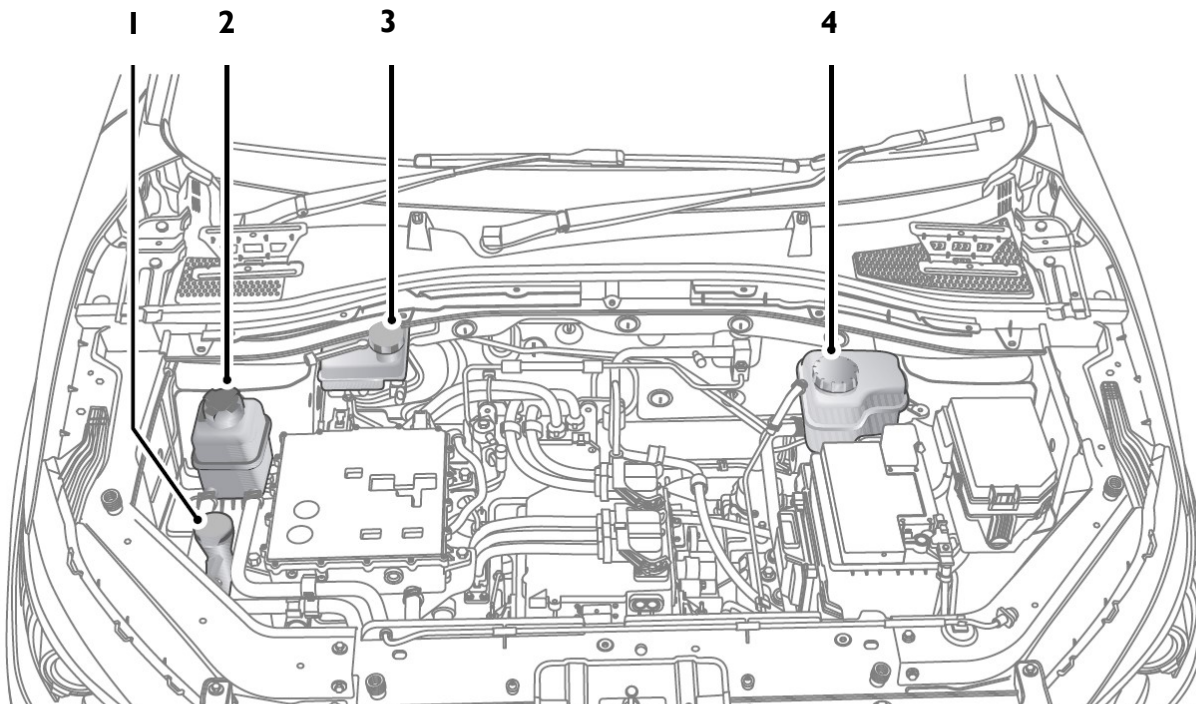
Instrument Pack



1. Speedometer - Indicates road speed in miles and kilometres per hour
2. Information Centre Display - Warnings, trip computer and driver information is communicated via this display.
3. Power Meter - Indicates the current power status as a positive or negative percentage.
4. Warning Lamp Display Areas (multiple warning lamps feature in these areas).
5. HV Battery Power Gauge - Displays the current charge level of the high voltage battery.
6. 12V Battery Power Gauge - Displays the current charge level of the 12V low voltage battery.

Please consult Owners Handbook for detailed warning light description and function

Underbonnet Locations



1. Washer fluid reservoir (blue cap)

2. Battery coolant reservoir (black cap)

3. Brake fluid reservoir (yellow cap)

4. EDS Coolant reservoir (black cap)

Recommended Fluids, Capacities and Pressures

Battery Coolant	Glycol (OAT)	4.4 Litres
EDS Coolant	Glycol (OAT)	4.8 Litres
Transmission Fluid	Castrol BOT 35I LV	1.3 Litres
Brake Fluid	DOT 4	0.75 Litres
Washer Fluid	ZY-VIII	4 Litres
Air Conditioning Refrigerant, g	R1234yf	540 +/- 20g
Air Conditioning Oil, ml	SP-A2	150 +/- 10g

Tyre Pressures (cold)	Normal	Fully Loaded
Front	17" 2.3 bar (33 psi)	2.6 bar (38 psi)
Rear	17" 2.3 bar (33 psi)	2.9 bar (42 psi)

Remote Key, Start/Stop Switch and Powering

Indicator OFF

- Power system OFF
- Power seats and mirrors remain operational

Indicator YELLOW

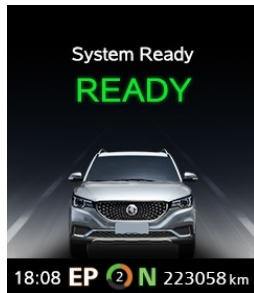
- Pressing Start/Stop switch without footbrake applied enters ACC mode
- Limited electrical equipment operation & power windows

Indicator GREEN

- Pressing Start/Stop switch without footbrake applied whilst in ACC mode
- All electrical equipment will function.

Indicator READY

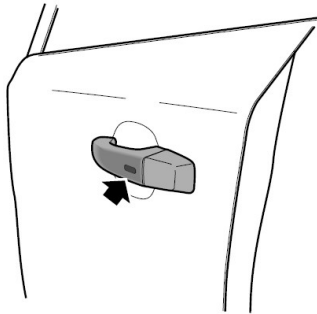
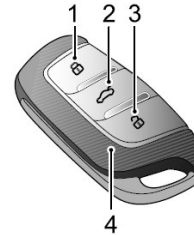
- Pressing Start/Stop switch from any state with footbrake applied and P selected.
- Enters READY mode, all electrical equipment is functional and car is ready to be driven.



Please consult Owners Handbook for detailed starting description and function

Locking and Unlocking

1. Lock button
2. Tailgate release button
3. Unlock button
4. Remote Key



Keyless Locking

Upon exiting the vehicle, press the button on the front door handle once (no need to press the lock button on the key) to lock all doors before walking away from the car, the vehicle will enter the immobilised/alarm armed state.

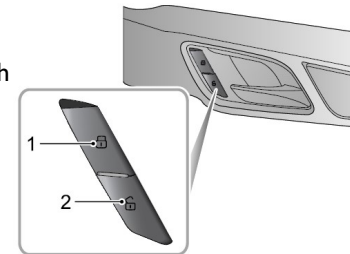
Keyless Unlocking

Press the button on the front door handle once to unlock the car, then pull the door handle to open the door.

Note: With the vehicle in locked state, pressing the button on the front door handle, and performing no other operations within 30 seconds, automatically relocks the car.

When the anti-theft alarm system is not armed or in operation, press the lock switch (1) to lock all doors; press the unlock switch (2) to unlock all doors.

Note: If the anti-theft alarm system is switched on, pressing the lock/unlock button will not lock/unlock the doors but will trigger the alarm system



Charging

Charging Port

The charging port is located behind the charging port door centrally mounted in the front bumper.

To open the door, ensure the vehicle is unlocked, press the MG badge and release - the door will open. Lift the door to reveal the waterproof blanking plugs.

The upper plug covers the 7 pin slow/fast charging socket (1), the lower plug covers the rapid charging socket (2).

1. Slow and Fast Charge Port - 7 Pin - Type 2 Plug
2. Rapid Charge Port - 7 Pin and 2 Pin - CCS Type Plug

Note: In order to use the rapid charger socket both waterproof blanking plugs will require removal.

After charging, refit the waterproof blanking plugs (slow/fast charge socket cover first), lower the charging port door and using the MG badge, push the door fully home until the latch locates.

ALWAYS ensure that any excess water is removed from the port area before connecting any charging device.

In order to prevent the charging connector and cable being disconnected inadvertently during charging, the charging socket features an electronic locking mechanism.

The electronic lock is activated as soon as the vehicle is locked, and remains in a locked state until the car is unlocked. Only when the vehicle is unlocked can the charging connector be unlocked.

